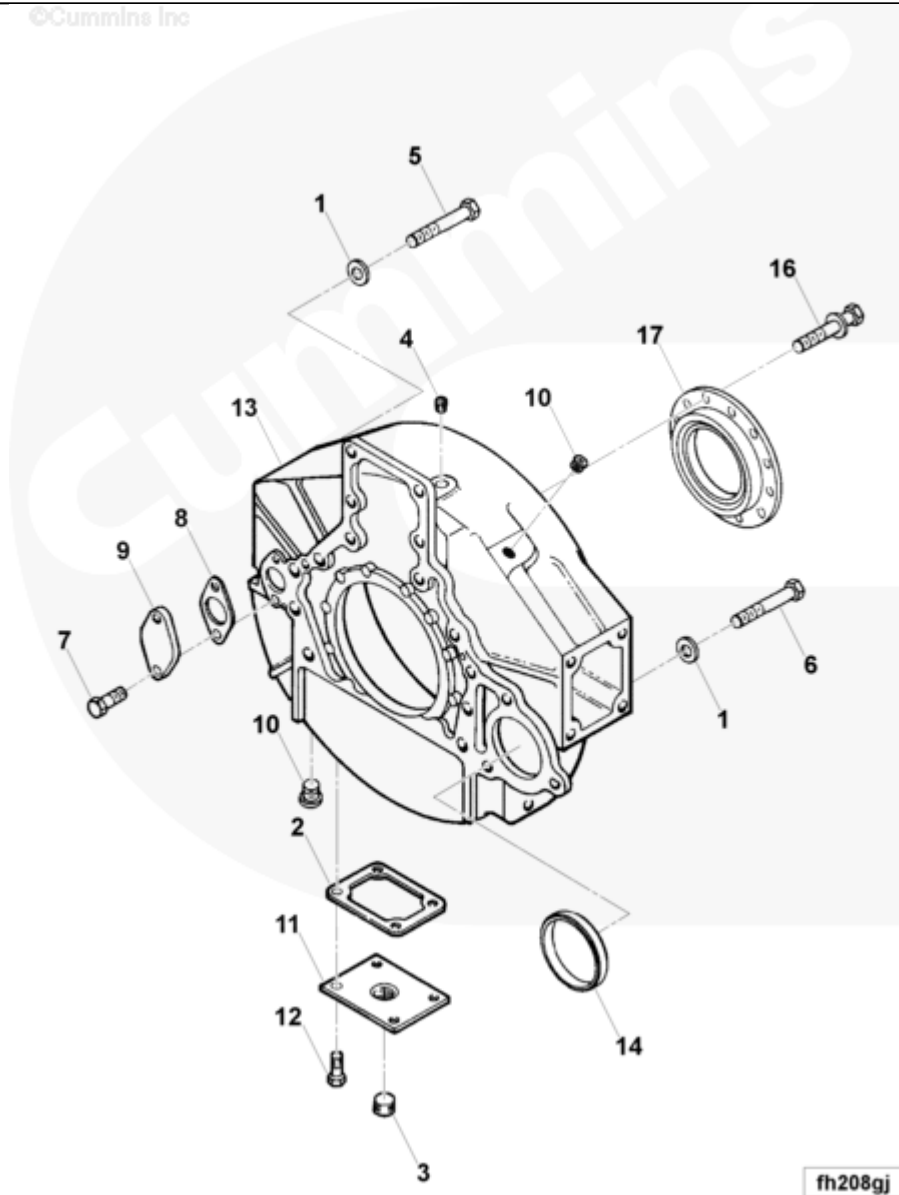




Parts Catalog - Option Detail

Electronic Parts Catalog - Option Detail				
Option	Group	Graphic	Film Card	Date
FH2156-08	16.01	fh208gj	II	20-MAY-05
Engines	ISM CM570, ISM CM570/870, ISM CM875, ISM CM876, ISM CM876 E, ISM11 CM876 M103, ISM11 CM876 SN, M11 CELECT, M11 CELECT PLUS, M11 MECHANICAL, QSM11 CM570, QSM11 CM876			

©Cummins Inc



fh208gj

[SMALL](#) | [MEDIUM](#) | [LARGE](#)

Cart	Ref No	Part Number	Part Description	Required	Remarks
View My Cart					
		FH2156-08	Flywheel Housing		

					Flywheel Housing
					Flywheel Hsg SAE Size or
					Type: 1
					Flywheel Housing Material:
					Aluminum
					Engine Mount Type: High and
					Low Vertical Pads
					Transmission Mounting Hole
					Nomenclature: Metric (mm)
					Starting Motor Mounting
					Screws: Metric
					Starter Center Distance:
					275.59 (10.85")
					Starter Bore Diameter: 92.06
					Sleeve
					Clutch Type Provision: Dry
					Sensor Mounting Hole
					Nomenclature: Quad 2, 3/4 -
					16 Quad 3, 3/4 - 16 Quad 4,
					3/4 - 16
					Rear Gear Drive: No
					Starter Location: 3rd
					Quadrant
					Sensor Mounting Hole Count:
					Three
					Engine Position: Vertical
					Standard
<input type="checkbox"/>	1	127316	Plain Washer	14	5/8 in.

<input type="checkbox"/>	2	182459	Water Header Cover Gasket	1	
<input type="checkbox"/>	3	3008469	Pipe Plug	1	3/4 NPT
<input type="checkbox"/>	4	3013786	Pipe Plug	1	3/8 NPT.
<input type="checkbox"/>	5	3018006	Hexagon Head Cap Screw	2	M16 x 2.00 x 45
<input type="checkbox"/>	6	3022148	Hexagon Head Cap Screw	12	M16 x 2.00 x 55
<input type="checkbox"/>	7	3025802	Hexagon Head Cap Screw	2	M8 x 1.25 x 20
<input type="checkbox"/>	8	3026134	Cover Plate Gasket	1	
<input type="checkbox"/>	9	3026135	Access Hole Cover	1	
<input type="checkbox"/>	10	3063779	Threaded Plug	3	3/4 - 16 UNF
<input type="checkbox"/>	11	3161671	Cover Plate	1	
<input type="checkbox"/>	12	3335044	Hexagon Head Cap Screw	4	M10 x 1.50 x 25.
<input type="checkbox"/>		3417501	Flywheel Housing	1	
	13	3417500	Flywheel Housing	1	
<input type="checkbox"/>	14	3819822	Sleeve	1	
<input type="checkbox"/>	16	4083121	Hexagon Flange Head Cap Screw	12	M8 x 1.25 x 20
	17	4923644	Oil Seal	1	Serviced as 4089542
<input type="checkbox"/>		4089542	Rear Seal Crank Kit	1	Dry Clutch/Non- REPTO
		4923644	Oil Seal	1	Serviced as 4089542
<input type="checkbox"/>		4083121	Hexagon Flange Head Cap Screw	12	M8 x 1.25 x 20